

FAUCET DESCRIPTION

- Chrome plated metal construction
- Pressure balancing cycle valve design
- 1/2" CC connections with 1/4 turn stops
- Includes 1/4 turn stops
- Supplied with vandal resistant screws


OPERATION

- Lever style handle with temperature indicators on the escutcheon
- Handle operates counterclockwise through a 270° arc with off at 6 o'clock, and maximum hot at the 9 o'clock position. Shut off in clockwise direction
- Adjustable temperature limit stop to restrict the handle travel in the HOT direction
- Pressure balancing mechanism maintains selected discharge temperature to $\pm 2^\circ$

CARTRIDGE

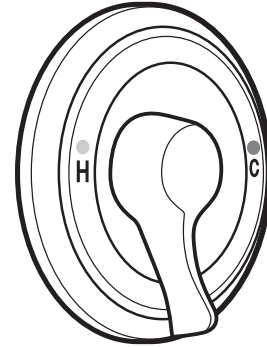
- 1222HD brass cartridge design
- Brass construction with stainless steel materials
- Accommodates back-to-back installations

STANDARDS

- Third party certified to ASME A112.18.1/CSA B125.1 and all applicable requirements referenced therein including ASSE 1016
- **ADA**  for lever handle

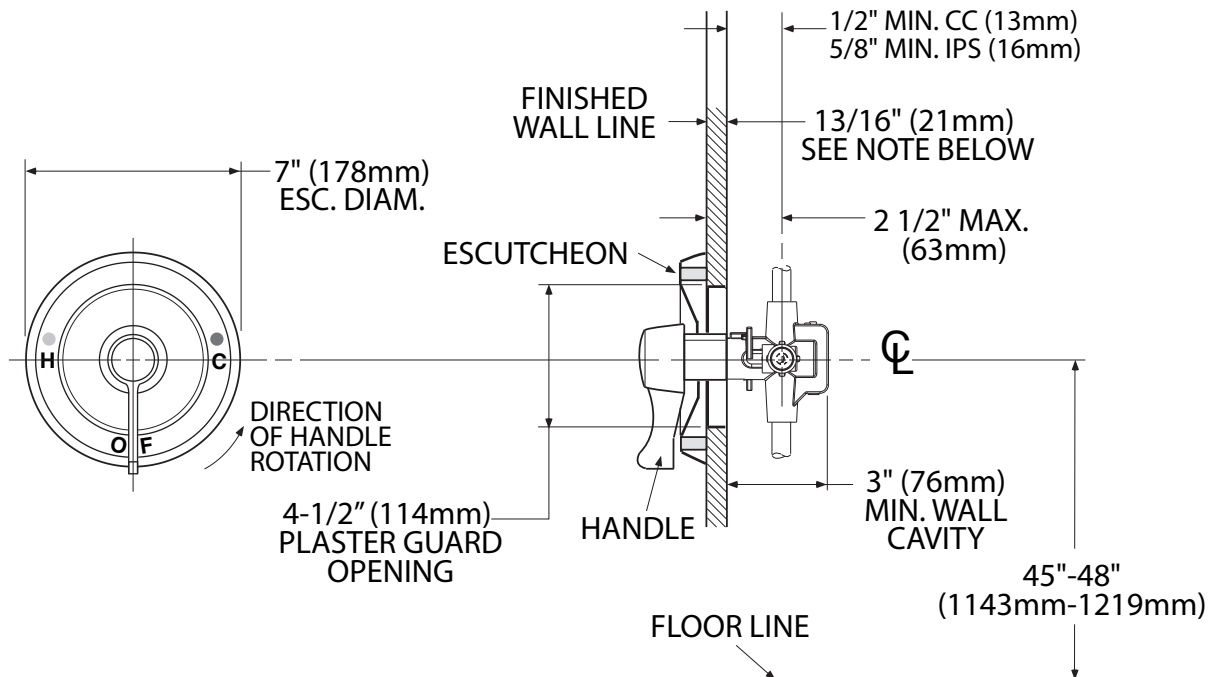
WARRANTY

- Warranted for 5 years against material or manufacturing defects



Single-Handle Pressure Balancing Valve only with Integral Stops

Model: 8370



CRITICAL DIMENSIONS

(DO NOT SCALE)